



# Air Canada Cargo || AC Animals CEIV Live Animal Certification

**Tom Sohorab**

**Manager, Cargo Products Business Development**

<https://www.aircanada.com/cargo/en/shipping/shipping-solutions/ac-live/>

**Animal Transportation Association – Annual Conference - Budapest, Hungary  
March 31 – April 3, 2019**

# CEIV Live Animal Certification

<https://www.iata.org/whatwedo/cargo/live-animals/Pages/ceiv-animals.aspx>

*Why adopt a global standards for the transportation of live animals?  
Would you extend the certification to other locations in your network?*

*What impact do you believe this will have on your business?  
What is the biggest benefit of program participation in your opinion?  
What has been the feedback you received from your partners?  
Would you recommend your partners get certified?*

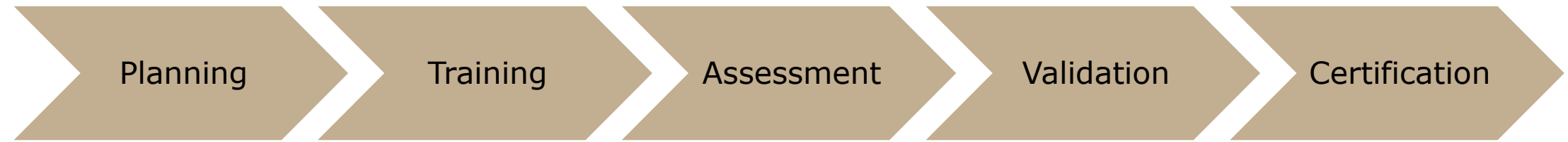
*Why did you chose IATA's CEIV Live Animals program?  
Why is it important to certify your live animals operations?  
How has the program impacted your operations?  
How was the certification process? How did IATA help?*


<https://www.youtube.com/watch?v=QHgoYFwqeB0>



# CEIV Live Animal Certification Stages

<https://www.iata.org/whatwedo/cargo/live-animals/Pages/ceiv-animals.aspx>

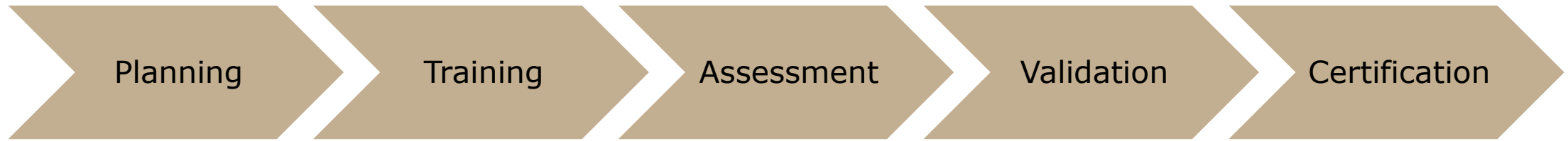



<p>Setup a project organization team. Within the team define the scope of work, accountabilities, and deliverables, and communication plan.</p>	<p>Follow the Live Animals Cargo Logistics Management training destined for personnel involved in the handling and transport of live animals and working for <b>airlines</b>, ground handling, freight forwarding and <b>animal shipping companies</b>.</p>	<p>Carry out an assessment of the handling and transport of live animals against the dedicated CEIV Live Animals Logistics audit checklist to ensure compliance with existing standards, requirements and the Live Animals Regulations (LAR).</p>	<p>Conduct a final validation to verify the findings and the gap analysis made during the assessment have been addressed to ensure that the organization meets the program's objectives.</p>	<p>Being recognized and registered as a "Center of Excellence for Live Animals Logistics" after successful completion of the training and validation parts. The certificate is valid for 36 months.</p> 
---	---	---	--	--



# CEIV Live Animal Certification Stages

<https://www.iata.org/whatwedo/cargo/live-animals/Pages/ceiv-animals.aspx>



<ul style="list-style-type: none"> <li>Regulatory &amp; Compliance</li> <li>Safety &amp; Auditing</li> <li>Training</li> <li>Operations</li> <li>Customer Service</li> <li>Sales</li> <li>Leadership</li> </ul>	<p>IATA led training at Air Canada Cargo Headquarters (YUL)</p> <p>1 week</p>	<p>Technical and Physical audit of all areas handling Live Animals (YUL)</p> <p>4 days</p>	<p>Technical and Physical audit of all areas handling Live Animals (YUL)</p> <p>2 days</p>	<p>IATA review and approval of auditor validation report</p> 
---	---	--	--	---



# CEIV Live Animal Certification - Changes

<https://www.iata.org/whatwedo/cargo/live-animals/Pages/ceiv-animals.aspx>

## Training Updates

- Consolidated training records
- New training curriculum
- Recurrent training

## Risk Mitigation

- Proactive temperature monitoring of animal holding areas
- Ad-hoc quarantine storage area
- Customer centric communication



# CEIV & IoT Technology



# Bluetooth Beacon Devices

## Bluetooth Tags ("child")



Product Name || **Sentinel 100**  
Communication || Bluetooth Low Energy v5.0  
Temperature Range || -45 C to +85 C  
Dimensions || 64.5 mm x 50 mm x 13 mm  
Weight || 51 grams  
Compliance || FCC, CE, CSA, UL, EN, IC, Bluetooth, DO-160G

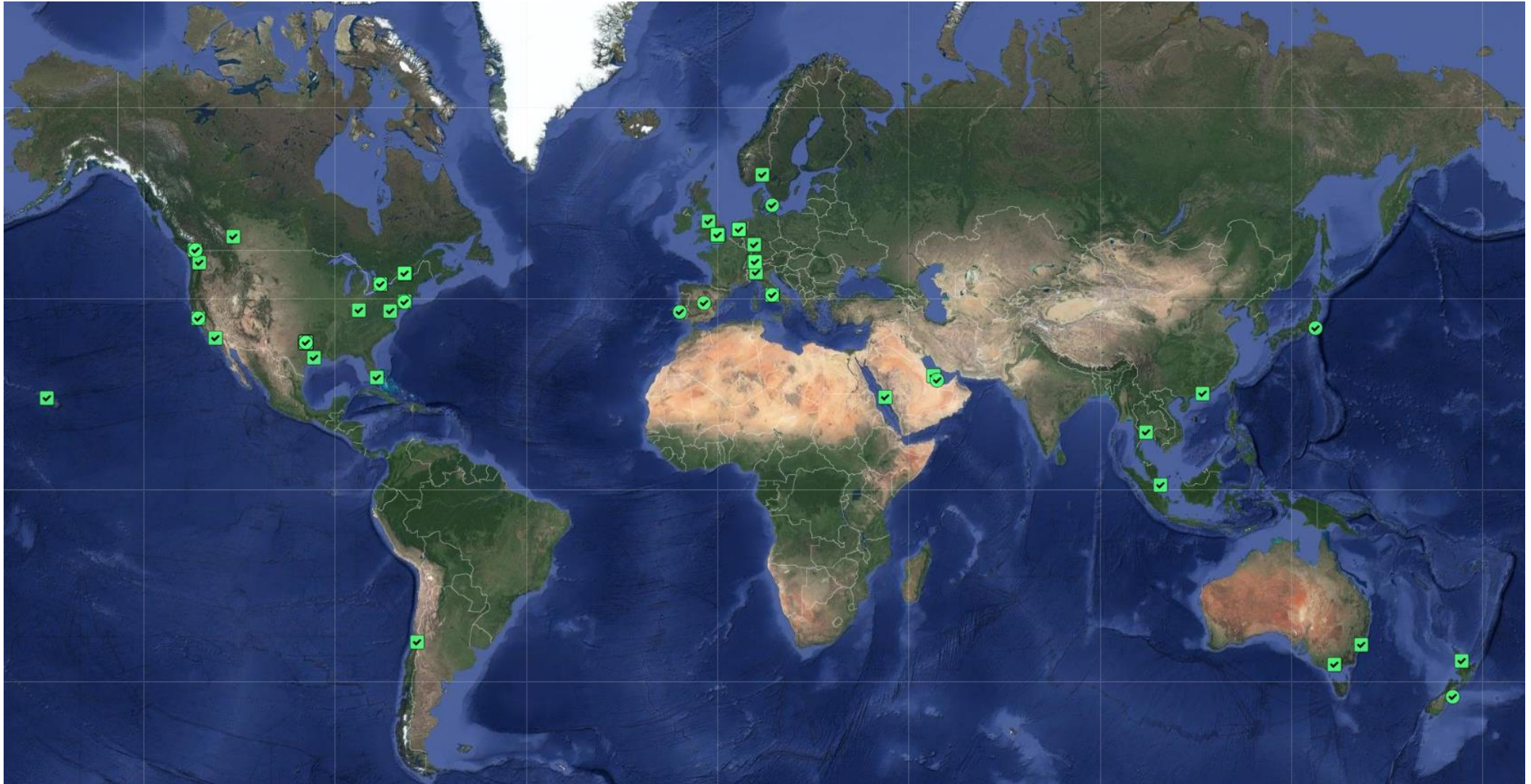
## Bluetooth Readers ("parent")



Product Name || **Sentry 500S**  
Communication || Bluetooth Low Energy v5.0  
Temperature Range || -20 C to +60 C  
Dimensions || 49.6 mm x 35.5 mm x 95.3 mm  
Weight || 7 oz  
Compliance || FCC, CE, CSA, UL, EN, IC, Bluetooth, DO-160G



# Unilode Reader Network – “parents”

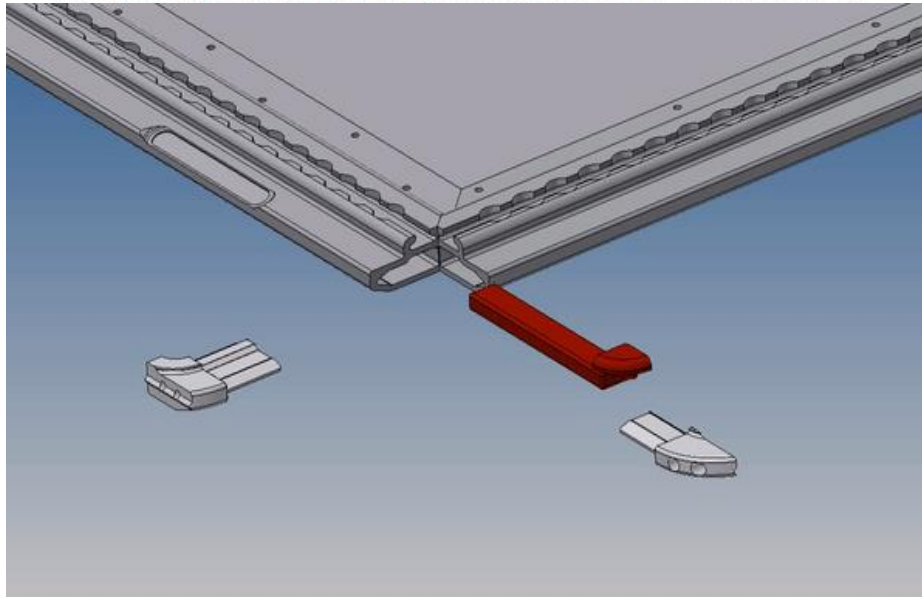




# Integration of Unilode tags ("child") into Pallets & ULDs



**Sentinel 100P**



# Next CEIV Steps for Air Canada Cargo



 AC Animals



 AC Cool Chain

 AC Fresh

 AC Pharmacair

 AC Absolute°



 AC General Cargo

 AC Compassion

 AC Secure

 AC DGR

 AC Expedair



**Thank you  
Merci**

**Tomal (Tom) Sohorab**  
**Manager, Cargo Product Business Development**  
[Tomal.Sohorab@aircanada.ca](mailto:Tomal.Sohorab@aircanada.ca)

aircanada.com

